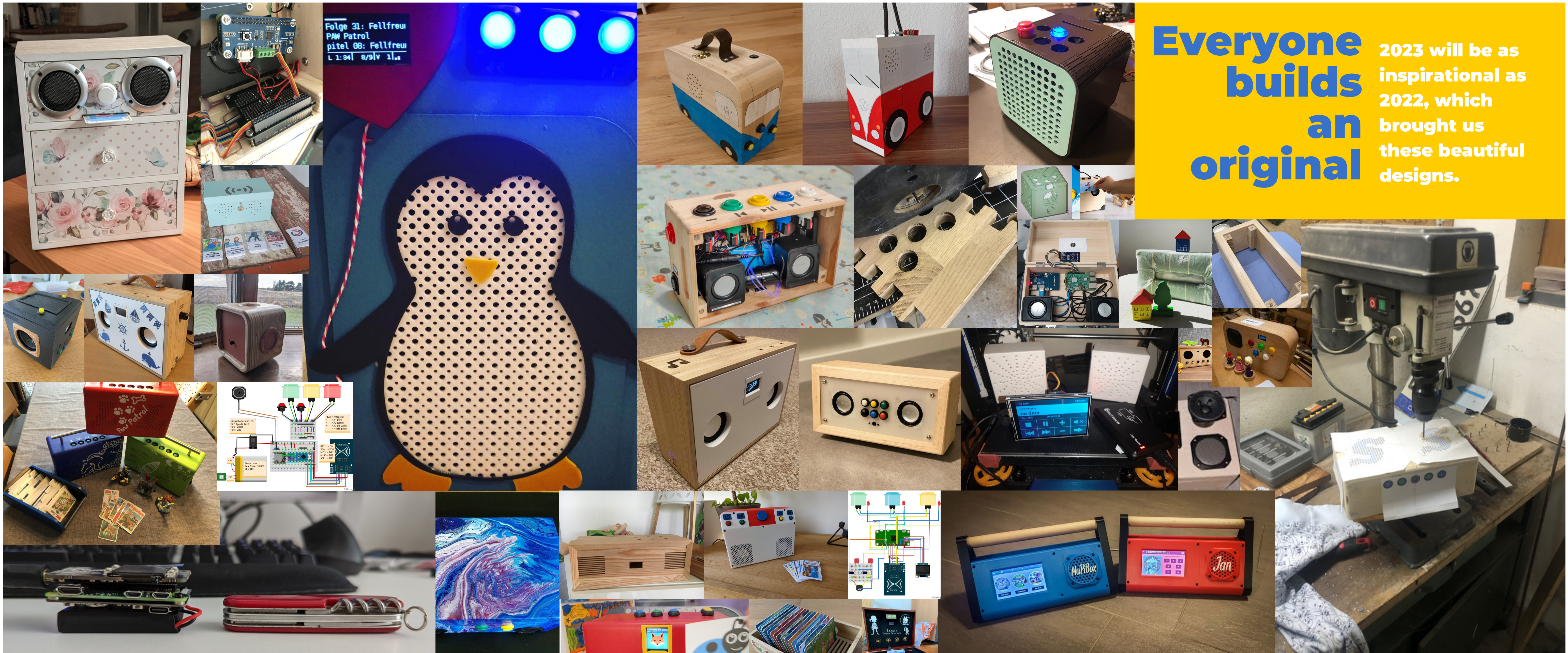
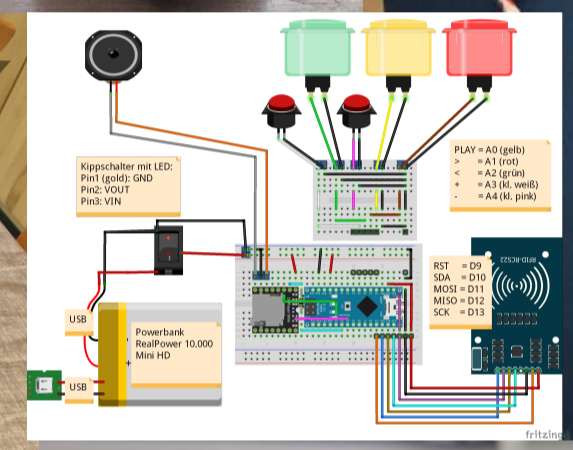


Everyone  
builds  
an  
original

2023 will be as  
inspirational as  
2022, which  
brought us  
these beautiful  
designs.



Folge 31: Fellfreu  
PAW Patrol  
pitel 08: Fellfreu  
L 1:34 8/9/1v 1L



# PHONIEBOX 2023

[www.phoniebox.de](http://www.phoniebox.de)

[github.com/MiczFlor/RPi-Jukebox-RFID](https://github.com/MiczFlor/RPi-Jukebox-RFID)

January							February							March							April												
Mo	Tu	We	Th	Fr	Sa	Su	Mo	Tu	We	Th	Fr	Sa	Su	Mo	Tu	We	Th	Fr	Sa	Su	Mo	Tu	We	Th	Fr	Sa	Su						
						1			1	2	3	4	5			1	2	3	4	5							1	2					
2	3	4	5	6	7	8	6	7	8	9	10	11	12	6	7	8	9	10	11	12	3	4	5	6	7	8	9						
9	10	11	12	13	14	15	13	14	15	16	17	18	19	13	14	15	16	17	18	19	10	11	12	13	14	15	16						
16	17	18	19	20	21	22	20	21	22	23	24	25	26	20	21	22	23	24	25	26	17	18	19	20	21	22	23						
23	24	25	26	27	28	29	27	28	27	28	29	30	31	24	25	26	27	28	29	30	24	25	26	27	28	29	30						
30	31																		28	29	30	31											
May							June							July							August												
Mo	Tu	We	Th	Fr	Sa	Su	Mo	Tu	We	Th	Fr	Sa	Su	Mo	Tu	We	Th	Fr	Sa	Su	Mo	Tu	We	Th	Fr	Sa	Su						
						1					1	2	3	4						1	2							1	2	3	4	5	6
1	2	3	4	5	6	7	5	6	7	8	9	10	11	3	4	5	6	7	8	9	7	8	9	10	11	12	13						
8	9	10	11	12	13	14	12	13	14	15	16	17	18	10	11	12	13	14	15	16	14	15	16	17	18	19	20						
15	16	17	18	19	20	21	19	20	21	22	23	24	25	17	18	19	20	21	22	23	21	22	23	24	25	26	27						
22	23	24	25	26	27	28	26	27	28	29	30	24	25	26	27	28	29	30	28	29	30	31	28	29	30	31							
29	30	31																															
September							October							November							December												
Mo	Tu	We	Th	Fr	Sa	Su	Mo	Tu	We	Th	Fr	Sa	Su	Mo	Tu	We	Th	Fr	Sa	Su	Mo	Tu	We	Th	Fr	Sa	Su						
						1	2	3						1						1	2	3							1	2	3		
4	5	6	7	8	9	10	2	3	4	5	6	7	8	6	7	8	9	10	11	12	4	5	6	7	8	9	10						
11	12	13	14	15	16	17	9	10	11	12	13	14	15	13	14	15	16	17	18	19	11	12	13	14	15	16	17						
18	19	20	21	22	23	24	16	17	18	19	20	21	22	20	21	22	23	24	25	26	18	19	20	21	22	23	24						
25	26	27	28	29	30	23	24	25	26	27	28	29	27	28	29	30	25	26	27	28	29	30	31	25	26	27	28	29	30	31			

