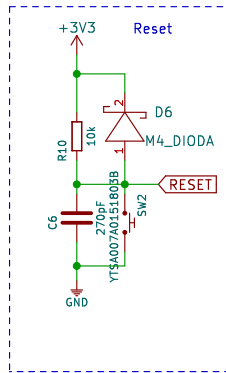
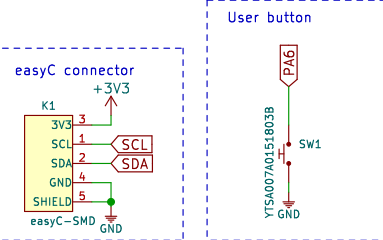
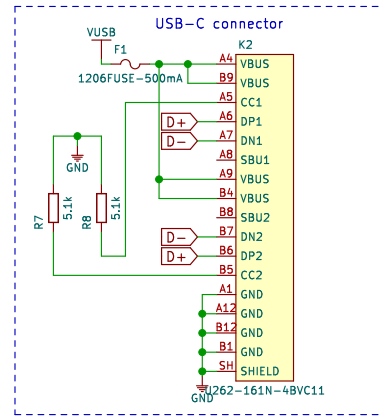
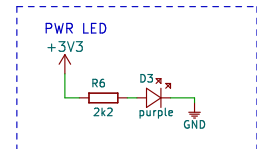
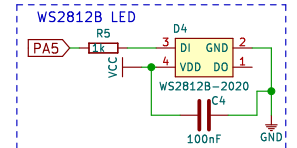
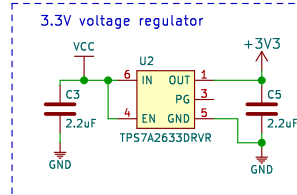
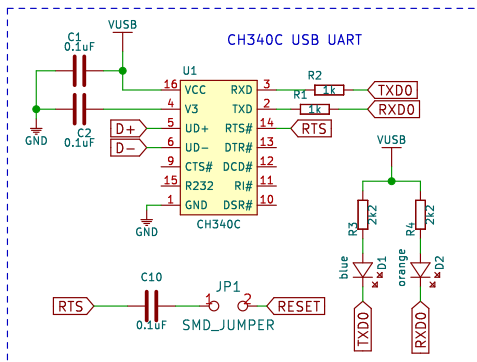


# PIN for WS2812B LED PA5 USER BUTTON pin PA6



FD1 H1  
HOLE\_3.2mm

