

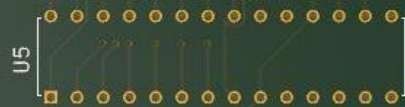
MCP23017\_SS



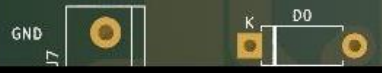
MCP23017\_SS

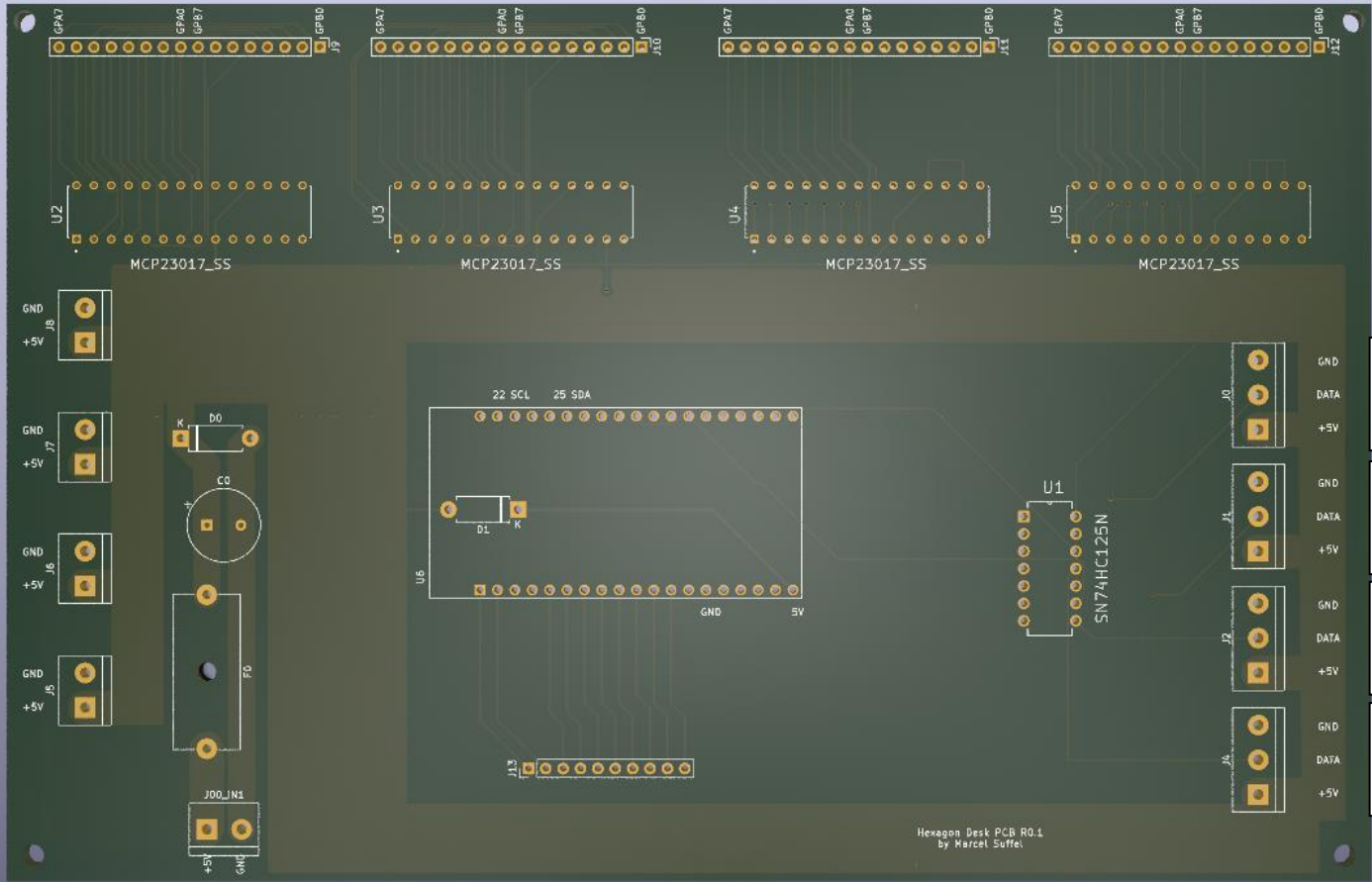


MCP23017\_SS



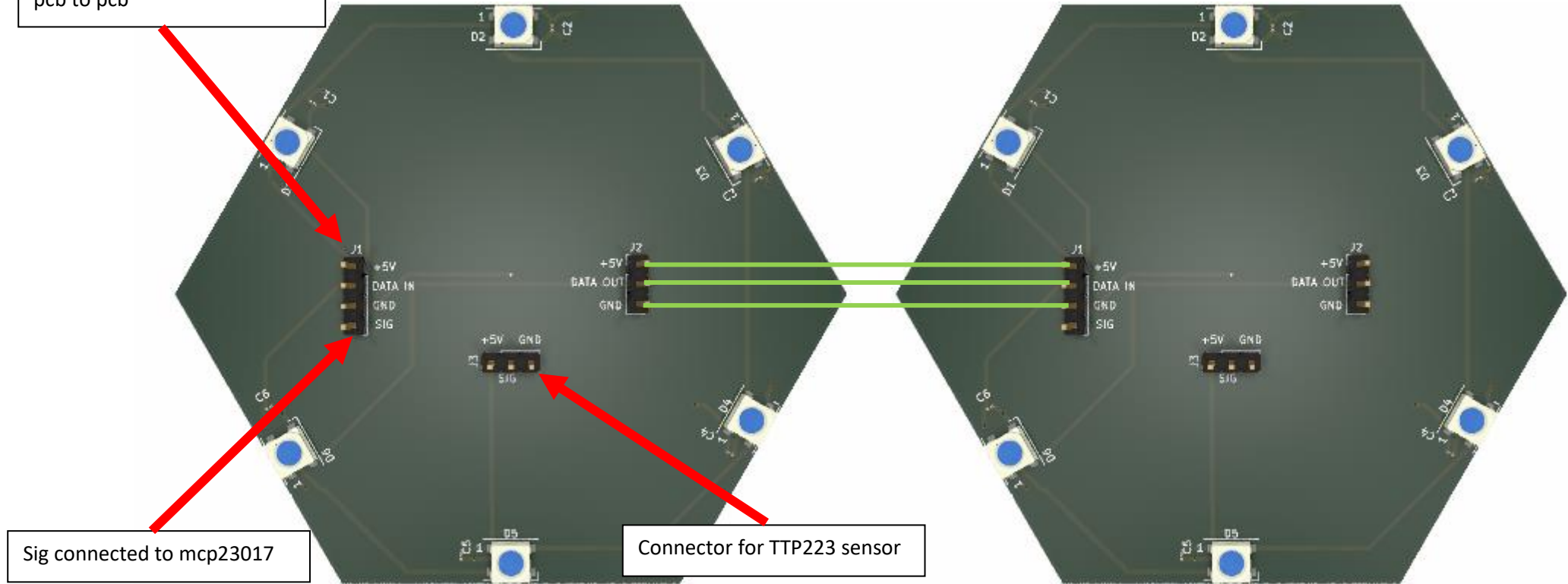
MCP23017\_SS





- CH0  
Data0
- CH1  
Data1
- CH2  
Data2
- CH3  
Data3

Data, 5V and gnd wired from pcb to pcb



Sig connected to mcp23017

Connector for TTP223 sensor

