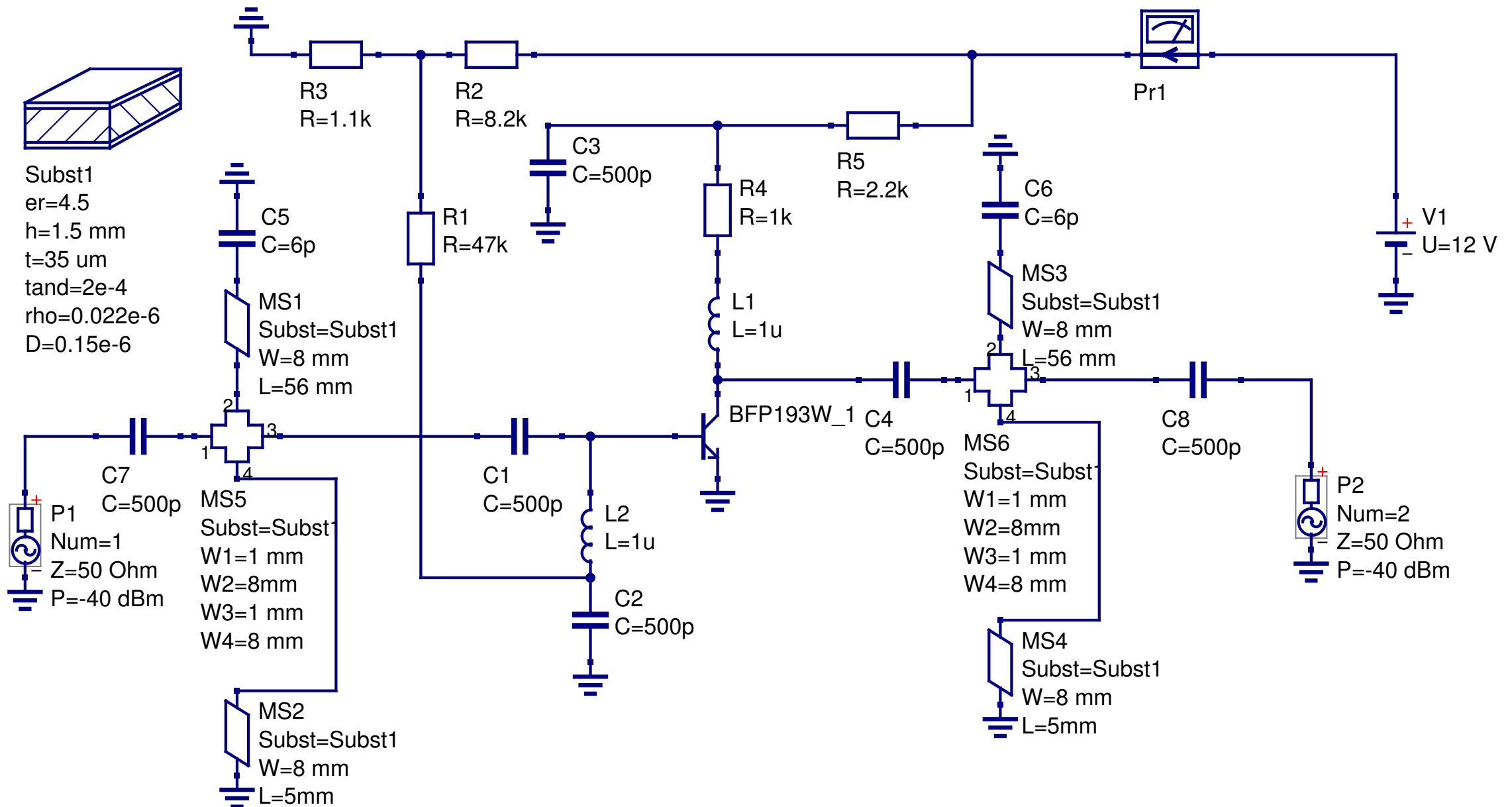


Subst1
er=4.5
h=1.5 mm
t=35 um
tand=2e-4
rho=0.022e-6
D=0.15e-6



C5
C=6p

MS1
Subst=Subst1
W=8 mm
L=56 mm

MS5
Subst=Subst1
W1=1 mm
W2=8mm
W3=1 mm
W4=8 mm

MS2
Subst=Subst1
W=8 mm
L=5mm

R3
R=1.1k

R1
R=47k

C1
C=500p

L2
L=1u

C2
C=500p

R2
R=8.2k

C3
C=500p

R4
R=1k

L1
L=1u

BFP193W_1

R5
R=2.2k

C4
C=500p

MS6
Subst=Subst1
W1=1 mm
W2=8mm
W3=1 mm
W4=8 mm

MS4
Subst=Subst1
W=8 mm
L=5mm

C6
C=6p

MS3
Subst=Subst1
W=8 mm
L=56 mm

Pr1

V1
U=12 V

P2
Num=2
Z=50 Ohm
P=-40 dBm

C7
C=500p

P1
Num=1
Z=50 Ohm
P=-40 dBm

MS5
Subst=Subst1
W1=1 mm
W2=8mm
W3=1 mm
W4=8 mm