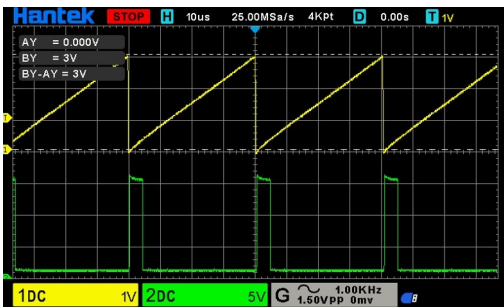
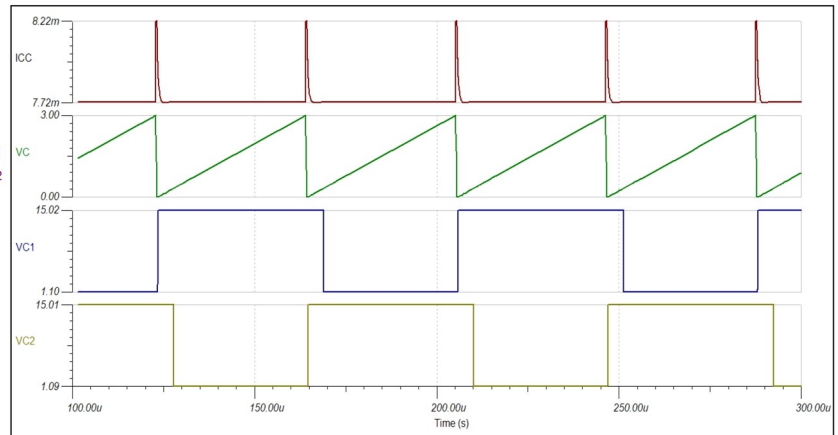
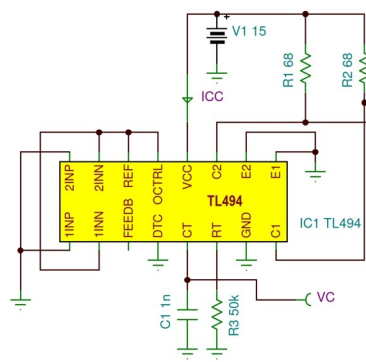
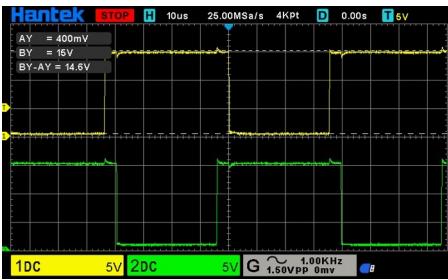
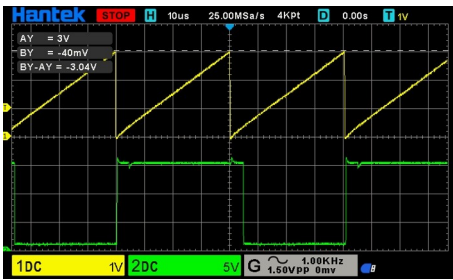
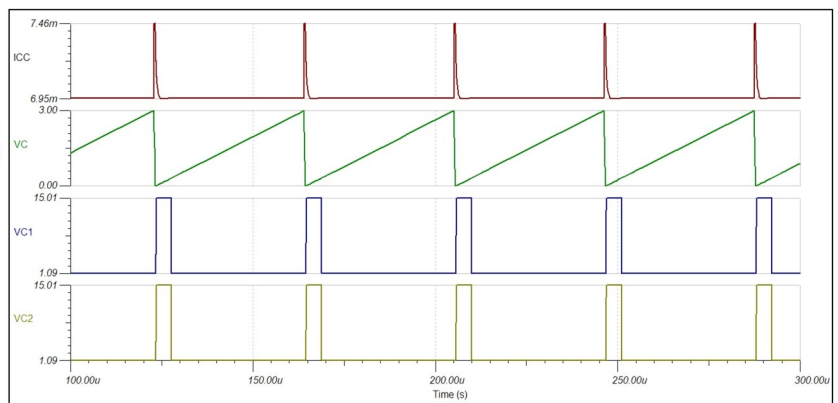
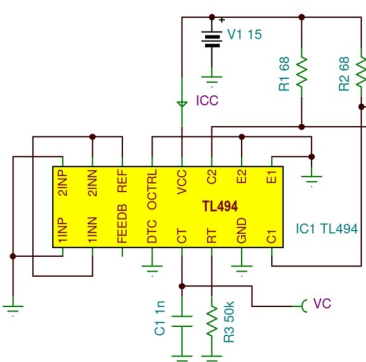


TL494 Pulse-Width-Modulation Control Circuit Macro Model

Test Circuits



The output-control input determines whether the output transistors operate in parallel or push-pull. For parallel operation, the output-control input must be grounded. For push-pull operation, the output-control input must be connected to the internal (5 V) reference regulator.



Either amplifier provided on the TL494 can be used for current limiting. Application of either amplifier is limited primarily to load-current control. The architecture defines that these amplifiers be used for *dc control applications*. Both amplifiers have a broad common-mode voltage range that allows direct current sensing at the output voltage rails. The internal architecture of the TL494 does not accommodate direct pulse-current limiting.

Typical Application

This application was taken from application note [SLVA001](#).

5 V / 10 A Power Supply Switching and Control Sections

